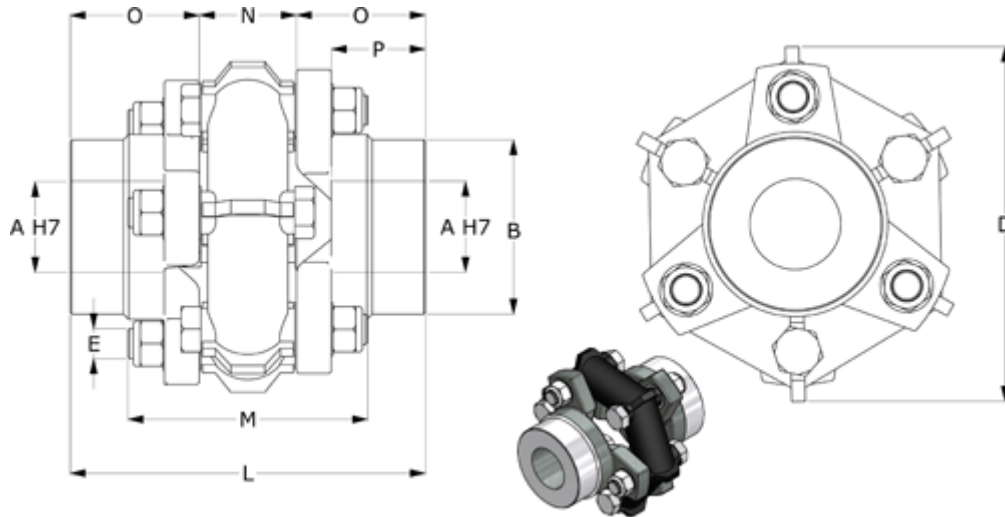


Article number: 3213369

Description: Ortlinghaus Coupling size 69

## Measures



A max H7	= 130	M	= 220	Tightening torque N m	= 800
Axial displacement mm	= +/-8	Moment of inertia kg/m <sup>2</sup>	= 0.38750	Weight	= 61.0
B	= 200	N	= 100		
Bending angle	= +/-1,7	O	= 140		
C	= 280	P	= 118		
D	= 380	Radial displacement	= +/-1		
E	= M27	Standard running NM	= 2400		
L	= 380	Stress load Nm	= 6000		